

Temperature sensor configuration For SkyPatrol's Application

Objective: Setup the SkyPatrol device for work correctly with Temperature sensor in SkyPatrol's application

SkyPatrol Configuration

The temperature sensor works to different baud rate (9600) that SkyPatrol device default baud rate (15200). It is necessary change this parameter to work properly. Use the following commands to setup the SkyPatrol device

- Disable Echo
ATE0
- Change speed communication
AT+IPR=9600
- Save configuration*
AT&W

* Before to send the save configuration command you have to change the baud rate in your serial port application used to setup the SkyPatrol device

Sensor Configuration

Use the followings commands to setup the temperature sensor.

- Setup the sensor ID, it must be the same value used with AT\$MDMID
AT\$ID=A999999
- Setup the header of the messages to send as a UDP package.
AT\$HEADER=AT\$MSGSEND=2,"TE,
- Setup the footer of the messages
AT\$FOOTER=""
- Setup the time to report
AT\$TIME=300
- Setup the units of measure
AT\$UNIT=C

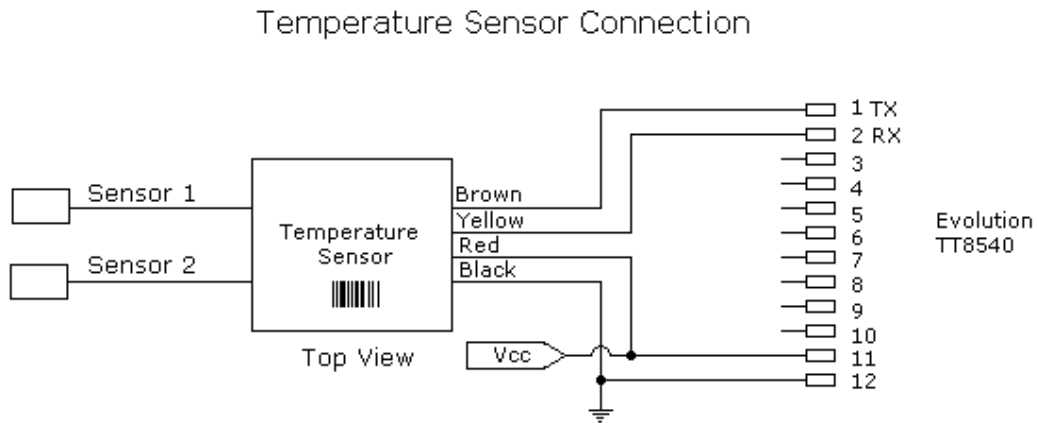
If you need check ranges of the temperature, setup those ones:

- o AT\$SETLO=1,010
- o AT\$SETHI=1,030
- o AT\$SETLO=2,010
- o AT\$SETHI=2,030

Note: The commands used to configure the sensor of temperature must be in uppercase

Temperature sensor Connection

To use the following diagram for connect the temperature sensor to TT8540.



Notes:

To connect the serial communication cables (Yellow(RX) and Brown (TX))

If longer cables are required, take note that the serial is extendable up to 15 feet and the sensor cables up to 50 feet in length.