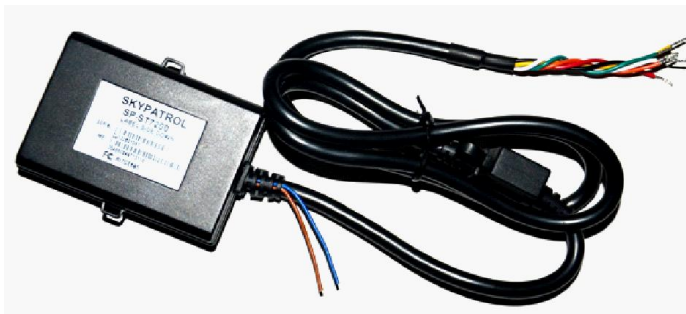
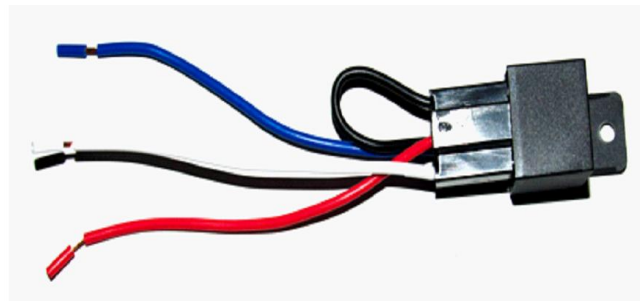


### ST7200 Kit



ST7200



Relay (Optional)

### ST7200 Installation Steps

When mounting the ST7200, locate an area out of view, such as under the dash or inside a front fairing. Be sure to place the device where it will not be obstructed by metal. Make sure that the label is facing the ground to ensure a better GPS fix. Power to the ST7200 can be taken directly from the battery, or from a wire that read the same voltage as the battery. A voltage on a wire that is slightly less than the battery voltage indicates that the wire is not directly from the battery and should not be used.

1. Connect the Red power wire from the device to a constant 12V power source.
2. Connect the Black ground wire from the device to chassis ground, or directly from the battery terminal.
3. For the starter interrupt installation follow the steps shown in figure 1.
4. To use the starter interrupt feature, connect the White wire from the device to ignition source.
5. Do not cut the small Blue or Brown wire from the device.

#### LED Status

Color	Function	Behavior
Blue	Network	Blink Fast (1/4 sec) = Searching Blink Slow (1 sec) = Cell Signal OK
Green	GPS Indicator	ON = No GPS Blinking = GPS OK

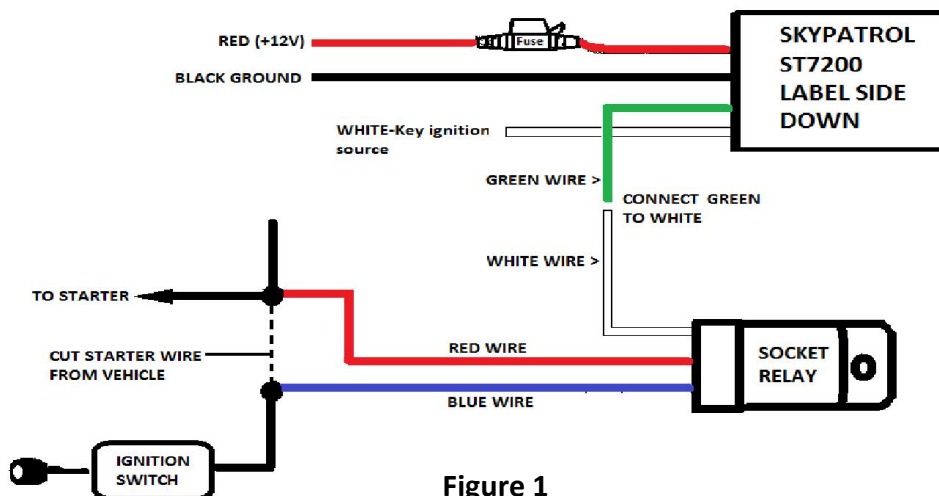


Figure 1